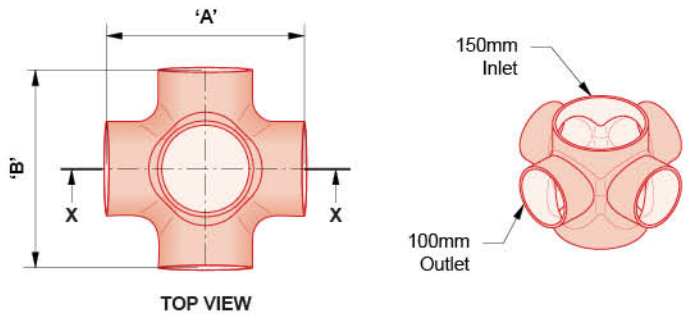


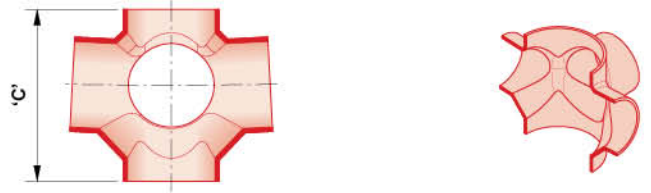


Branches - 4 Way Junctions

Product code	Typical dimension			
	Nominal Diameter (mm)	Dim. (mm) 'A'	Dim. (mm) 'B'	Dim. (mm) 'C'
C83421.100	100X100	230	230	200
C83421.150	150X100	270	270	200



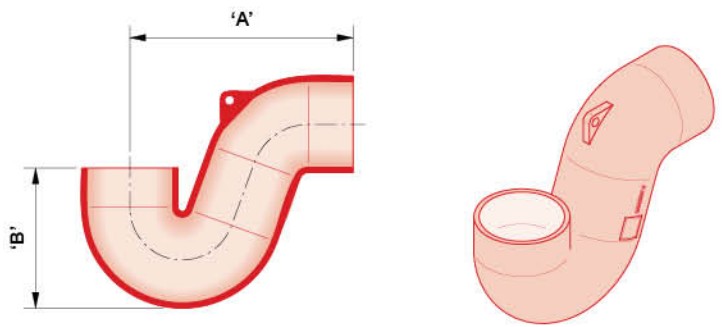
TOP VIEW



SECTION VIEW X-X

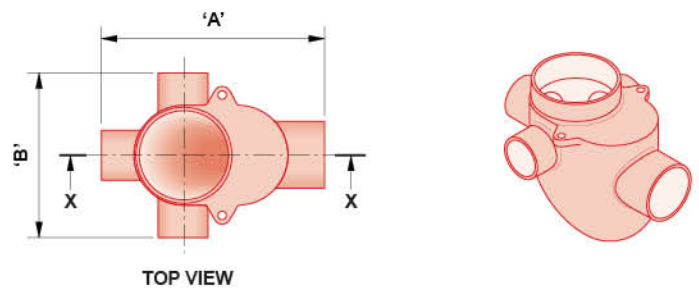
Traps - P-Trap

Product code	Typical dimension		
	Nominal Diameter (mm)	Dim. (mm) 'A'	Dim. (mm) 'B'
C864.03127	70	200	138
C864.03119	100	285	165
C864.03219	150	350	240

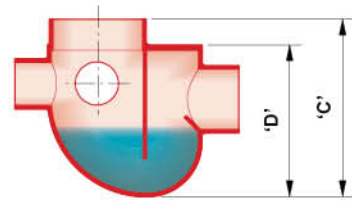


Traps - Floor Trap

Product code	Typical dimension			
	Dim. (mm) 'A'	Dim. (mm) 'B'	Dim. (mm) 'C'	Dim. (mm) 'D'
C864.100703	260	192	206	176



TOP VIEW



SECTION VIEW X-X